

APTA
design Romano Marcato
2012



Table playing on the tension between a very thin worktop and the solidity of the legs - a contrast accentuated by the table top's being slightly raised from the frame, giving it a light, modern feel. A versatile piece suitable for both office and home use, Apta can be extended where required without altering its proportions.





APTA





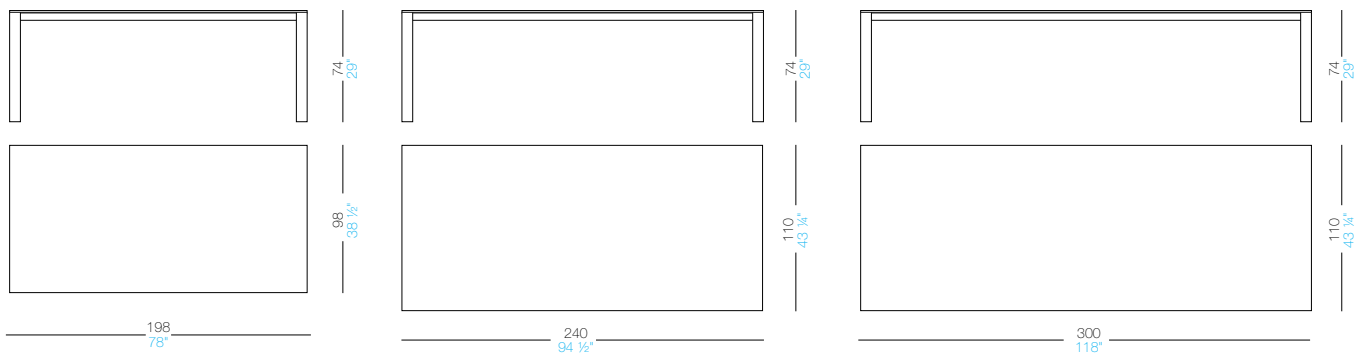
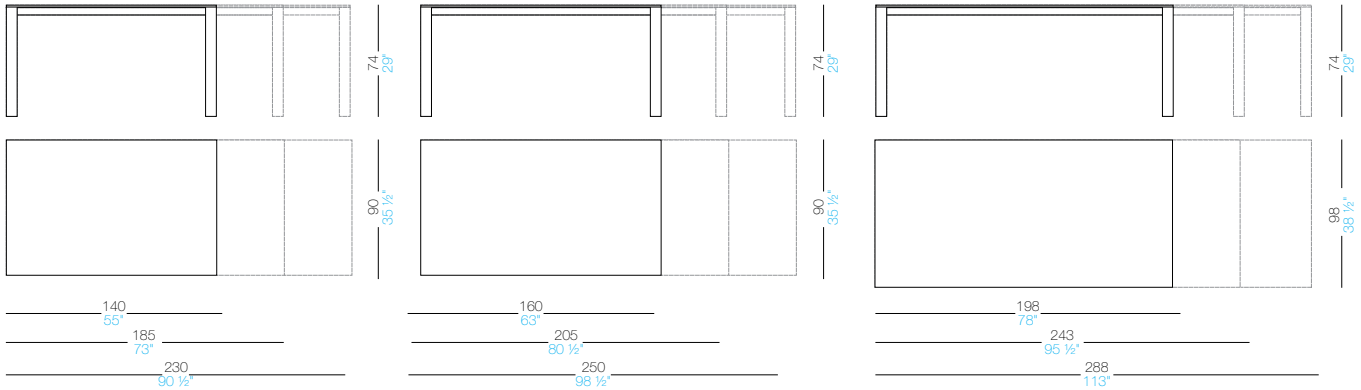


APTA

design Romano Marcato

2012

Extendible or fix tables with frame in powder coated aluminium. Top in honeycomb of aluminium, laminated or walnut Canaletto. The table with fix top is also available in concrete.



frame		top			
	powder coated: black		white laminate		HPL fenix white
	powder coated: white		Canaletto walnut		HPL fenix black
			concrete only fix table		

use and maintenance instructions

Clean all parts in wood, leather, fabric and metal with a damp cloth or a diluted neutral cleaner. Do not use cleaners with alcohol, bleach, solvent or abrasive products. Any liquid spill on the product must be wiped up immediately. When lifting or moving the product, hold it on the structure and not under the seat. The product should not be subjected to unbalanced weights, as it is designed for a proper rest on the foothold (on four legs or on the base). Our company relieves from any responsibility in case of damage caused to fragile floors. Avoid any improper use of the product: do not step on the product, on the footrest or on the armrests. Avoid any movements that could compromise the proper functionality of the product or the safety of the users. Wood and leather, being natural materials, could be easily damaged. Small impurities or imperfections are within quality standard range. Do not expose the product to weather conditions or atmospheric agents, nor to heat sources over 45°C. Also products for outdoor use could be afflicted by atmospheric agents. The product could undergo possible exterior changes due to particular exposure to heat, humidity and saltiness. An appropriate and frequent maintenance and cleaning of the product enhances its durability. The product could change colour and shade, if exposed to direct sunlight. Maintenance has to be carried out by experienced staff. Dispose of the package only after assembling the product, in order to avoid the loss of ironmongery and components. Once the product has been dismantled, the product itself or its components must be given to the public garbage disposal system, according to the legislation in force.