

TETRIM Living

TETRIM reveals a commitment to clear design. The puristic cubes fit perfectly together. While one unit stands firmly on the ground, another appears to hover. The TETRIM bracket is most striking in its appearance, a concise connection between the sides and the shelves. The open compartment attracts everyone's attention with its accent lighting, whether suspended separately on a wall or on the floor. The indirect LED lighting is reflected in the satinised glass and lacquer of the handle-free surfaces. TETRIM is a play on contrasts, a meeting of cool colours and warm shades.

Contents

	Page
Range introduction, lists of versions, important notes, possible arrangements	2-5
Suggested combinations	6-7
2 Raster lowboards	8-9
3 Raster lowboards	10-11
Media accessories for lowboards, column system, flat screen supports	12-13
4 and 5 Raster sideboards	14
8 Raster highboards, 11 Raster unit	15
6-14 Raster units	16
Wall units, writing/dressing table	17-18
Side-panels, wall side-panels, fitted shelves, niche rear walls	19-20
Wall shelves, 1 Raster top panels, ceramic cover shelves	21
Accessories for drawers	22
Fitted shelves, lamps, remote control	23
General information:	
Cable apertures	24
Special-sized products, special articles	25-26
Important notes: wall composition / assembly instruction	27

Lists of versions

Model no.	Carcase and front, wall shelves	Price group	Model no.	Open compartments *: Frame version / inside carcass version	Price group	Model no.	Cover shelves	Price group
648 641 663	Pure white lacquer Grey lacquer Silk grey lacquer	I I I	940 941	bronze-colour / satinised glass, rear-lacquered grey-brown silver-colour / satinised mirror glass	I I I	145 147	Ceramic calacatta Ceramic pulpis	I I

* Open compartments with aluminium frame; frame bronze-coloured and interior carcass of satinised glass, rear-lacquered grey-brown or with silver-coloured frame and interior carcass of satinised mirror glass. It is not possible to change the colours of the frame or interior carcass.

Accent versions

Model no.	Accent carcass, writing/dressing table	Price group	Model no.	Accent fronts	Price group
648 641 663 666 667	Pure white lacquer Grey lacquer Silk grey lacquer Bordeaux red lacquer Ice blue lacquer	I I I I I	648 641 663 666 667	Pure white lacquer Grey lacquer Silk grey lacquer Bordeaux red lacquer Ice blue lacquer	I I I I I
696 685	European maple Natural oak	I I	696 685	European maple Natural oak	I I
			611 612	High-gloss bordeaux red lacquer * High-gloss ice blue lacquer *	II II

Dark grey shading in the sketches = Components in accent versions



* The carcass of the high-gloss lacquer versions is in a matching matt lacquer colour.

Explanation of versions

Surface versions of components in lacquer versions for:

Low-, side- and highboards, writing/dressing table, wall units, side-panel system, wall shelves

Light grey shading in the sketches = Components in lacquer version



Surface versions of components in accent versions for:

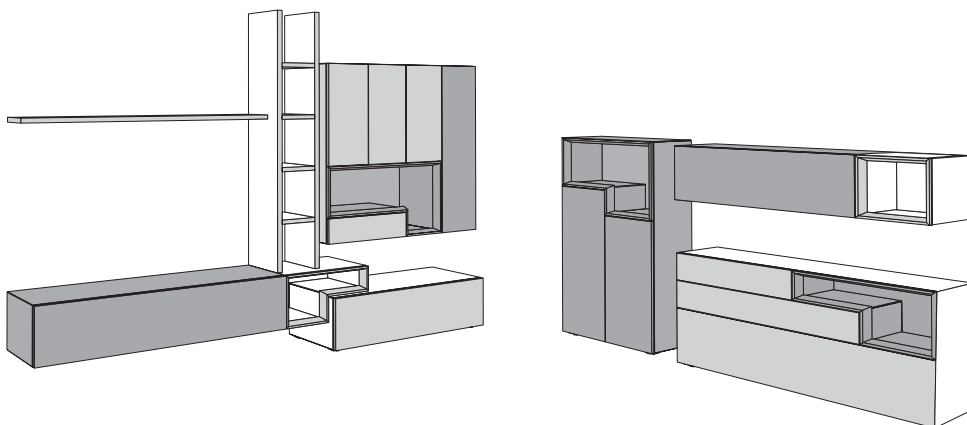
Open compartments of low-, side- and highboards, highboards, 11 Raster unit, wall units, writing/dressing table, 1 Raster top panel

Dark grey shading in the sketches = Components in accent versions



Open compartments:

Open compartments with aluminium frame; frame bronze-coloured and interior carcass of satinised glass, rear- lacquered grey-brown or with silver-coloured frame and interior carcass of satinised mirror glass. It is not possible to change the colours of the frame or interior carcass.



Important notes

Open compartments:

Open compartments with aluminium frame; frame bronze-coloured and interior carcass of satinised glass, rear- lacquered grey-brown or with silver-coloured frame and interior carcass of satinised mirror glass. It is not possible to change the colours of the frame or interior carcass. Please be sure to state the required version in your order!

Ceramic cover shelves:

Ceramic cover shelves optionally in calacatta and pulpis versions. Please be sure to state the required version in your order!

Standard interior fittings:

Fitted wooden shelves are included behind doors at 2 Raster intervals.

Drawer frames in grey

hülsta-Push-to-open:

Drawers, flaps and hinge-doors with hülsta-Push-to-open device. All drawers on hidden bearings as fully pull-out units.

Max. load:

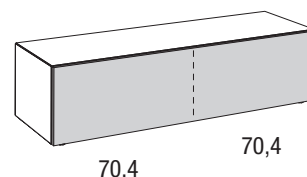
Max. load of wooden and glass (fitted) shelves (up to 70.4 cm width) and drawers: 25 kg
 Max. load of wooden and glass (fitted) shelves (between 70.4 and 105.6 cm width): 15 kg; from 105.6 cm width: 10 kg
 Max. load of cover shelves: 35 kg per metre length for floor units.

Please also note any existing maximum load data for individual units which may be stated later and the important notes on the quality of walls at the end of this type list.

Information on the sketches

Split drawer frames:

Split drawer frames are used for drawers in front widths of 140.8 cm, 176.0 cm, 211.2 cm and 246.4 cm (the partitions are shown by dotted lines in the sketches). The front widths of the drawers are illustrated at the sketches of the units so that you can order suitable accessories for the drawers.



Range introduction

Wall units in general

Important notes: Generally speaking, you as a dealer/qualified fitter are responsible for the correct wall mounting of the units. That is why wall mounting should only be carried out by properly trained and qualified fitters. hülsta supplies materials for mounting units on walls for nearly all the units and which should be used for safety and for constructional reasons. The assembly materials supplied by hülsta (plugs, screws) are only suitable for fitting components on to concrete in firmness class C12/15. For other materials (please see separate materials table in the wall composition chapter) we provide you with an assembly mortar set as an extra order. Please note that this assembly mortar set is also only suitable for the materials listed in the materials table. If walls are made up of other materials (e.g. plastered or lighter wall materials), one should use another method of mounting better suited to the load on site. Please note that if the units are not mounted properly on the wall, there is a risk of the units falling down or tipping over – especially when alternative mounting materials acquired on site have been used. For the reasons stated above it is absolutely essential to enquire about the composition of any walls before signing any contracts.

Wall units

If 1 and 2 Raster units as well as lowboards are included as wall units, a maximum load per unit of 15 kg per metre must not be exceeded for reasons of stability! Max.

load 15 kg per metre:
35.2 cm width: 5.0 kg
52.8 cm width: 7.5 kg
70.4 cm width: 10.0 kg
105.6 cm width: 15.0 kg
140.8 cm width: 20.0 kg
158.4 cm width: 20.0 kg
176.0 cm width: 25.0 kg
211.2 cm width: 30.0 kg
246.4 cm width: 30.0 kg

If 4 - 12 Raster units, side- or highboards are included as wall units, a maximum load per unit of 40 kg must not be exceeded for reasons of stability!

The wall units must only be fitted on absolutely solid walls. Plastered or lighter wall materials are not suitable for this purpose.

For each project please remember to leave a 2.0 cm gap at the top to be able to mount units.

If units are included as wall units, a wall bracket must be ordered.

Labelling in type list drawings / assembly notes for wall units

Labelling in type list drawings / assembly notes for wall units

The majority of units have two wall mounting points (= number of base plates), if these are to be fitted as wall units. This is not explicitly mentioned in the type list. If a different number of wall mounting points (= base plates) is required, this is marked in the drawings in the type list with numbers in black boxes. Please be sure to note here the information and notes in the "Wall composition" chapter!

3

4



Suggested combinations

Light grey shading in the sketches = Components in lacquer version



Dark grey shading in the sketches = Components in accent versions



As an alternative to planning an individual unit from the complete range there is the possibility of choosing from specially suggested combinations. This eases planning. Incorporating accessories can enhance the suggested combinations. These are charged extra.

Price gr. I II	980001 - -	as illustr. v. versa Price gr. I II	980002 981002 - -
as illustr. v. versa Price gr. I II	980003 981003 - -	as illustr. v. versa Price gr. I II	980004 981004 - -
as illustr. v. versa Price gr. I II	980005 981005 - -	as illustr. v. versa Price gr. I II	980006 981006 - -

Suggested combinations

TETRIM

As an alternative to planning an individual unit from the complete range there is the possibility of choosing from specially suggested combinations. This eases planning. Incorporating accessories can enhance the suggested combinations. These are charged extra.

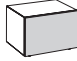
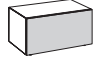

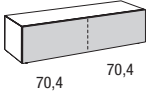
<p>as illustr. v. versa</p> <p>Price gr.</p> <p>I -</p> <p>II -</p>	<p>980007 981007</p> <p>-</p> <p>-</p>	<p>as illustr. v. versa</p> <p>Price gr.</p> <p>I -</p> <p>II -</p>	<p>980008 981008</p> <p>-</p> <p>-</p>
<p>as illustr. v. versa</p> <p>Price gr.</p> <p>I -</p> <p>II -</p>	<p>980009 981009</p> <p>-</p> <p>-</p>	<p>as illustr. v. versa</p> <p>Price gr.</p> <p>I -</p> <p>II -</p>	<p>980010 981010</p> <p>-</p> <p>-</p>
<p>as illustr. v. versa</p> <p>Price gr.</p> <p>I -</p> <p>II -</p>	<p>980011 981011</p> <p>-</p> <p>-</p>	<p>as illustr. v. versa</p> <p>Price gr.</p> <p>I -</p> <p>II -</p>	<p>980012 981012</p> <p>-</p> <p>-</p>

2 Raster lowboards: Floor units

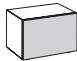
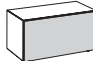

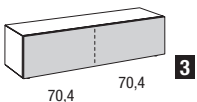
Accessories: see pages 12-13 and 22-23
Lamps: see page 23

Light grey shading in the sketches = Components in lacquer version

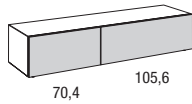
Dark grey shading in the sketches = Components in accent versions

<p>2 Raster lowboards: Floor units 35.2 cm high (37.0 cm high incl. 1.8 cm high plinth adjusters); 52.0 cm deep</p> <p>Incl. centre cable aperture behind flap with flap hinge at bottom in rear wall of each compartment.</p>										
		52.8 cm wide		70.4 cm wide		105.6 cm wide		140.8 cm wide		
		1 drawer	1 flap	1 drawer	1 flap	1 drawer	1 flap	1 drawer	1 flap	
		25511	25518	27511	27518	210511	210518	214511	214518	
Flap hinge at bottom	Price gr.	-	-	-	-	-	-	-	-	

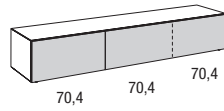
2 Raster lowboards: Floor units or as wall units

<p>2 Raster lowboards: Floor units or as wall units 35.2 cm high (37.0 cm high incl. 1.8 cm high plinth adjusters); 45.0 cm deep</p> <p>Incl. centre cable aperture behind flap with flap hinge at bottom in rear wall of each compartment.</p>										
		52.8 cm wide		70.4 cm wide		105.6 cm wide		140.8 cm wide		
		1 drawer	1 flap	1 drawer	1 flap	1 drawer	1 flap	1 drawer	1 flap	
		25411	25418	27411	27418	210411	210418	214411	214418	
Flap hinge at bottom	Price gr.	-	-	-	-	-	-	-	-	
When used as wall units: Max. load: 40 kg										
Wall bracket If units are to be included as wall units or stacked on top of one another, a wall bracket must be ordered.		4528		4704		4105		4140		
		-		-		-		-		

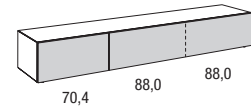
Assembly notes for wall units:
 Please be sure to note here the information and notes in the "Wall composition" chapter!



176.0 cm wide

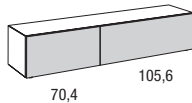


211.2 cm wide

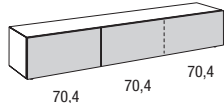


246.4 cm wide

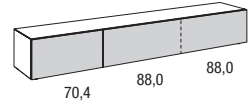
		2 drawers	2 flaps	1 drawer; 1 flap	2 drawers	2 flaps	1 drawer; 1 flap	2 drawers	2 flaps	1 drawer; 1 flap
as illustr. v. versa		2175111 2175112	2175181 2175182	2175131 2175132	2215111 2215112	2215181 2215182	2215131 2215132	2245111 2245112	2245181 2245182	2245131 2245132
Price gr.		-	-	-	-	-	-	-	-	-



176.0 cm wide



211.2 cm wide



246.4 cm wide

		2 drawers	2 flaps	1 drawer; 1 flap	2 drawers	2 flaps	1 drawer; 1 flap	2 drawers	2 flaps	1 drawer; 1 flap
as illustr. v. versa		2174111 2174112	2174181 2174182	2174131 2174132	2214111 2214112	2214181 2214182	2214131 2214132	2244111 2244112	2244181 2244182	2244131 2244132
Price gr.		-	-	-	-	-	-	-	-	-
		4176			4211			4246		
		-			-			-		

Accessories

Functional drawer

It is possible to use the 70.4 cm wide drawers as functional drawers for media devices (against surcharge).

Please observe the space requirements given by the electrical dealer (heat build-up)!

for 45.0 and 52.0 cm unit depth

707

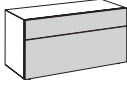
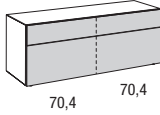
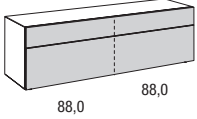
-

3 Raster lowboards: Floor units

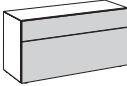
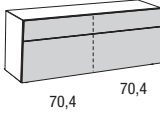
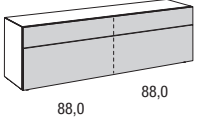
Accessories: see pages 12-13 and 22-23
Lamps: see page 23

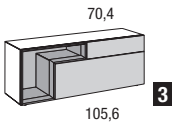
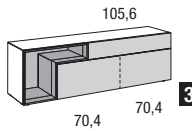
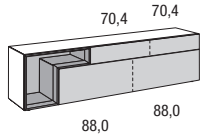
Light grey shading in the sketches = Components in lacquer version

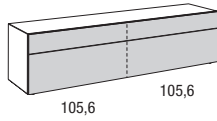
Dark grey shading in the sketches = Components in accent versions

<p>3 Raster lowboards: Floor units 52.8 cm high (54.6 cm high incl. 1.8 cm high plinth adjusters); 52.0 cm deep</p> <p>Incl. centre cable aperture behind flap with flap hinge at bottom in rear wall of each compartment.</p>		 <p>105.6 cm wide</p>		 <p>140.8 cm wide</p>		 <p>176.0 cm wide</p>			
		2 drawers	Top: 1 flap Bottom: 1 drawer	2 drawers	Top: 1 flap Bottom: 1 drawer	2 drawers	Top: 1 flap Bottom: 1 drawer		
		310511	310512	314511	314512	317511	317512		
Flap hinge at bottom	Price gr.	-	-	-	-	-	-		

3 Raster lowboards: Floor units or as wall units

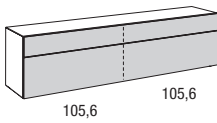
<p>3 Raster lowboards: Floor units or as wall units 52.8 cm high (54.6 cm high incl. 1.8 cm high plinth adjusters); 45.0 cm deep</p> <p>Incl. centre cable aperture behind flap with flap hinge at bottom in rear wall of each compartment.</p>		 <p>105.6 cm wide</p>		 <p>140.8 cm wide</p>			 <p>176.0 cm wide</p>					
		2 drawers	Top: 1 flap Bottom: 1 drawer	Top: 1 drawer Bottom: 1 flap	2 drawers	Top: 1 flap Bottom: 1 drawer	Top: 1 drawer Bottom: 1 flap	2 drawers	Top: 1 flap Bottom: 1 drawer	Top: 1 drawer Bottom: 1 flap		
		310411	310412	310413	314411	314412	314413	317411	317412	317413		
Flap hinge at bottom	Price gr.	-	-	-	-	-	-	-	-	-		
<p>Wall bracket If units are to be included as wall units or stacked on top of one another, a wall bracket must be ordered.</p>		4105		4140			4176					

<p>3 Raster lowboards: Floor units or as wall units 52.8 cm high (54.6 cm high incl. 1.8 cm high plinth adjusters); 45.0 cm deep</p> <p>Incl. centre cable aperture behind flap with flap hinge at bottom in rear wall of each compartment.</p>		 <p>140.8 cm wide</p>		 <p>176.0 cm wide</p>			 <p>211.2 cm wide</p>					
		1 open compartment; 2 drawers	1 open compartment; Top: 1 flap Bottom: 1 drawer	1 open compartment; Top: 1 drawer Bottom: 1 flap	1 open compartment; 2 drawers	1 open compartment; Top: 1 flap Bottom: 1 drawer	1 open compartment; Top: 1 drawer Bottom: 1 flap	1 open compartment; 2 drawers	1 open compartment; Top: 1 flap Bottom: 1 drawer	1 open compartment; Top: 1 drawer Bottom: 1 flap		
		3144211 3144212	3144221 3144222	3144231 3144232	3174211 3174212	3174221 3174222	3174231 3174232	3214211 3214212	3214221 3214222	3214231 3214232		
Flap hinge at bottom	Price gr.	-	-	-	-	-	-	-	-	-		
<p>Wall bracket If units are to be included as wall units or stacked on top of one another, a wall bracket must be ordered.</p>		4140		4176			4211					



211.2 cm wide

		2 drawers	Top: 1 flap Bottom: 1 drawer
		321511	321512
Price gr.		-	-

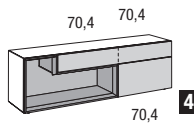


211.2 cm wide

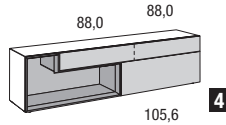
		2 drawers	Top: 1 flap Bottom: 1 drawer	Top: 1 drawer Bottom: 1 flap
		321411	321412	321413
Price gr.		-	-	-

4211

-



176.0 cm wide



211.2 cm wide

		1 open compartment; 2 drawers	1 open compartment; Top: 1 flap Bottom: 1 drawer	1 open compartment; Top: 1 drawer Bottom: 1 flap	1 open compartment; 2 drawers	1 open compartment; Top: 1 flap Bottom: 1 drawer	1 open compartment; Top: 1 drawer Bottom: 1 flap
as illustr. v. versa		3174311 3174312	3174321 3174322	3174331 3174332	3214311 3214312	3214321 3214322	3214331 3214332
Price gr.		-	-	-	-	-	-

4176

-

4211

-

Media accessories for lowboards

IR repeater set

IR repeater set

Infrared signal transmission set for operating media units behind wooden/lacquered fronts. You can operate all the units in one compartment with one set. The following applies:

- One set must be used for each compartment. 2 transmitters can also be installed for large compartments in order to increase performance. In this case only one additional transmitter needs to be ordered.
- The transmitter must be placed in the direct vicinity of the receiver eye of the media unit.
- Transmissible IR frequency band 20 - 60 kHz
- Up to 3 transmitters can be combined with one receiver

It is possible to use 3 transmitters via 1 receiver including Master box. This enables simultaneous operation of 3 different furniture compartments or in critical situations it allows fitting out one furniture compartment with several transmitters in order to increase the performance in this compartment or to operate 2 end units placed next to one another.

The IR repeater set consists of:

- 1 receiver eye (Ø 3.0 cm) incl. standing bracket
- 1 electrical transmitter
- 1 plug EVG 12 V
- Cable clips

Please note the details stated in the operating instructions!

IR repeater set
1 receiver eye and 1 transmitter
incl. standing bracket

2001

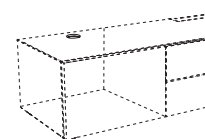
-

Extra transmitter

2003

-

Cable apertures



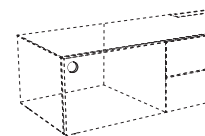
Cable aperture K1

silver-coloured; Ø 8.0 cm;

It is possible to fit a cable aperture in the top shelf of the lowboard. The cable aperture can be made at the rear of the top shelf. The position is in the centre of the compartment, distance from centre of aperture to rear edge of unit: 10.0 cm.

K1

-



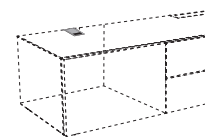
Cable aperture K2

silver-coloured; Ø 8.0 cm;

It is possible to fit a cable aperture in the rear wall of the lowboard. Positioned at centre of compartment.

K2

-



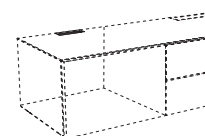
Cable aperture K7

silver-coloured; 7.0 x 12.0 cm;

It is possible to fit a cable aperture in the top shelf of the lowboard. The position is in the centre of the compartment, flush with the rear edge of the unit.

K7

-



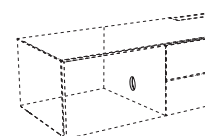
Cable aperture K8

silver-coloured; 12.8 x 3.2 cm;

It is possible to fit a cable aperture in the top shelf of the lowboard. The cable aperture can be made at the rear rim of the top shelf. Positioned in centre of compartment.

K8

-



Cable aperture K20

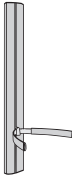



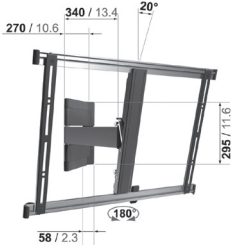
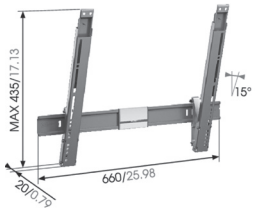
silver-coloured; Ø 8.0 cm;

It is possible to fit a cable aperture in the centre partitions of lowboards.

K20

-

Column system, flat screen supports

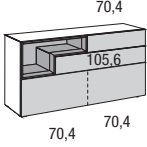
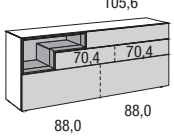
<p>Column system consisting of a metal column (for fitting anywhere on wall) and of audio/DVD support(s), for fitting anywhere on column.</p> <p>Example of use:</p> 	<p>Columns of metal; for fitting anywhere on walls above top rim of plinth slot; cables can be laid and hidden at any height; audio/DVD supports can be fitted anywhere on the column.</p> 	<p>Audio/DVD support of metal; can be positioned at any height on the column and be adjusted to suit audio/DVD players of any size; with rubber padding at front to prevent units from slipping; max. load: 10 kg</p> 	
	<p>36.8 cm high</p>	<p>64.1 cm high</p>	
	<p>9201 -</p>	<p>9202 -</p>	<p>9203 -</p>
<p>Flat screen support WTL6 The flat screen support can be adjusted 3-dimensionally. It is suitable for flat screens with a screen diagonal of 102-216 cm (40"-85"); max. load: 45 kg. Go to www.vivanco.de to check if your flat screen can be fitted on this flat screen support. Enter the name WTL6. After a few steps you can see if your flat screen TV is compatible with the flat screen support. Suitable for Curved TV's. Flat screen support compatible with VESA Norm standard: min.: 200 x 200 mm max.: 600 x 400 mm</p> 	<p>Flat screen support THIN 345, ideally adaptable The flat screen support can be adjusted 3-dimensionally. It is suitable for flat screens with a screen diagonal of 102-165 cm (40"-65") and a maximum depth of 5.0 cm; max. load: 25 kg. Go to www.vogels.com to check if your flat screen can be fitted on this flat screen support. Enter the name THIN 345. After a few steps you can see if your flat screen TV is compatible with the flat screen support. Not suitable for Curved TV's. Flat screen support compatible with VESA Norm standard: min.: 100 x 100 mm max.: 600 x 400 mm</p> 	<p>Flat screen support THIN 315 The flat screen support can be angled up to a max. 15°. It is suitable for flat screens with a screen diagonal of 102-165 cm (40"-65") and a maximum depth of 5.0 cm; max. load: 25 kg. Go to www.vogels.com to check if your flat screen can be fitted on this flat screen support. Enter the name THIN 315. After a few steps you can see if your flat screen TV is compatible with the flat screen support. Not suitable for Curved TV's. Flat screen support compatible with VESA Norm standard: min.: 100 x 100 mm max.: 600 x 400 mm</p> 	
<p>for fitting anywhere on wall</p>	<p>for fitting anywhere on wall</p>	<p>for fitting anywhere on wall</p>	
<p>9704 -</p>	<p>9304 -</p>	<p>9504 -</p>	

4 Raster sideboards: Floor units

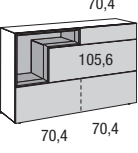
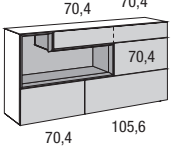
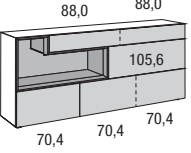
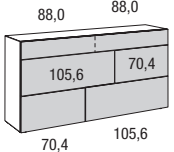
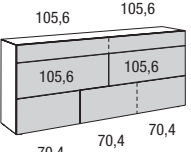
Accessories: see pages 22-23
Lamps: see page 23

Light grey shading in the sketches = Components in lacquer version

Dark grey shading in the sketches = Components in accent versions

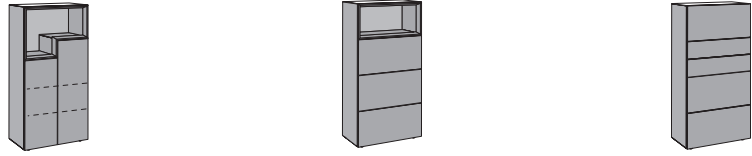

4 Raster sideboards: Floor units 70.4 cm high (72.2 cm high incl. 1.8 cm high plinth adjusters); 45.0 cm deep				
	140.8 cm wide		176.0 cm wide	
			1 open compartment; 3 drawers	
	as illustr. v. versa		4144111 4144112	4174111 4174112
	Price gr. 		-	-

5 Raster sideboards: Floor units

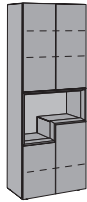
5 Raster sideboards: Floor units 88.0 cm high (89.8 cm high incl. 1.8 cm high plinth adjusters); 45.0 cm deep						
	140.8 cm wide		176.0 cm wide		211.2 cm wide	
			1 open compartment; 3 drawers	1 open compartment; Top: 1 drawer Centre: 1 flap Bottom: 1 drawer	1 open compartment; 4 drawers	1 open compartment; Top: 1 drawer Centre: 1 flap Bottom: 2 drawers
	as illustr. v. versa	5144111 5144112	5144121 5144122	5174111 5174112	5174121 5174122	5214111 5214112
Flap hinge at bottom	Price gr. 	-	-	-	-	-
						
			Top: 1 drawer Centre: 2 flaps Bottom: 2 drawers	Top: 1 drawer Centre: 1 flap; 1 drawer Bottom: 2 drawers		Top: 1 drawer Centre: 2 flaps Bottom: 2 drawers
	as illustr. v. versa	5174211 5174212	5174221 5174222	5174231 5174232	5214211 5214212	5214221 5214222
Flap hinge at bottom	Price gr. 	-	-	-	-	-

8 Raster highboards: Floor units

TETRIM

8 Raster highboards: Floor units 140.8 cm high (142.6 cm high incl. 1.8 cm high plinth adjusters); 45.0 cm deep						
		70.4 cm wide	70.4 cm wide	70.4 cm wide		
		1 open compartment; 2 doors	1 open compartment; 3 drawers	1 open compartment; Top: 1 flap Bottom: 2 drawers	5 drawers	Top: 1 flap Bottom: 4 drawers
Flap hinge at bottom	as illustr. v. versa	874111 874112	87421	87422	87431	87432
	Price gr. I II	- -	- -	- -	- -	- -
						
		105.6 cm wide	105.6 cm wide	105.6 cm wide		
		1 open compartment; 3 doors; 1 drawer	1 open compartment; 4 drawers	5 drawers		
	as illustr. v. versa	814111 814112	814211 814212	81431		
	Price gr. I II	- -	- -	- -		

11 Raster unit: Floor unit

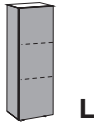
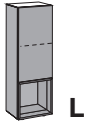
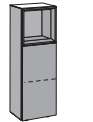
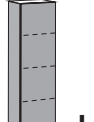
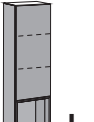
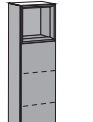
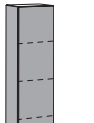
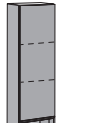
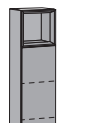
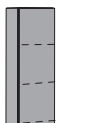
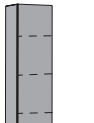
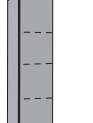
11 Raster unit: Floor unit 193.6 cm high (195.4 cm high incl. 1.8 cm high plinth adjusters); 45.0 cm deep		
		70.4 cm wide
		4 doors; 1 open compartment
	as illustr. v. versa	1274111 1274112
	Price gr. I II	- -

6-14 Raster units: Floor units or as wall units

Accessories: see pages 22-23
Lamps: see page 23

Light grey shading in the sketches = Components in lacquer version

Dark grey shading in the sketches = Components in accent versions

<p>6-14 Raster units: Floor units or as wall units</p> <p>6 Raster high (105.6 cm; 107.4 cm high incl. 1.8 cm high plinth adjusters)</p> <p>7 Raster high (123.2 cm; 125.0 cm high incl. 1.8 cm high plinth adjusters)</p> <p>8 Raster high (140.8 cm; 142.6 cm high incl. 1.8 cm high plinth adjusters)</p> <p>10 Raster high (176.0 cm; 177.8 cm high incl. 1.8 cm high plinth adjusters)</p> <p>12 Raster high (211.2 cm; 213.0 cm high incl. 1.8 cm high plinth adjusters)</p> <p>14 Raster high (246.4 cm; 248.2 cm high incl. 1.8 cm high plinth adjusters)</p> <p>33.0 or 45.0 cm deep</p> <p>When used as wall units: Max. load: 25 kg</p> <p>Wall bracket If units are to be included as wall units or stacked on top of one another, a wall bracket must be ordered.</p>	6 Raster high						
	 35.2 cm wide		 35.2 cm wide		 35.2 cm wide		
		1 door		1 door; 1 open compartment		1 door; 1 open compartment	
		33.0 cm deep	45.0 cm deep	33.0 cm deep	45.0 cm deep	33.0 cm deep	45.0 cm deep
		63031 L 63032 R	63041 L 63042 R	63131 L 63132 R	63141 L 63142 R	63231 L 63232 R	63241 L 63242 R
	Price gr.						
	I	-	-	-	-	-	-
	II	-	-	-	-	-	-
	7 Raster high						
	 35.2 cm wide		 35.2 cm wide		 35.2 cm wide		
		1 door		1 door; 1 open compartment		1 door; 1 open compartment	
		33.0 cm deep	45.0 cm deep	33.0 cm deep	45.0 cm deep	33.0 cm deep	45.0 cm deep
		73031 L 73032 R	73041 L 73042 R	73131 L 73132 R	73141 L 73142 R	73231 L 73232 R	73241 L 73242 R
	Price gr.						
	I	-	-	-	-	-	-
	II	-	-	-	-	-	-
	8 Raster high						
	 35.2 cm wide		 35.2 cm wide		 35.2 cm wide		
		1 door		1 door; 1 open compartment		1 door; 1 open compartment	
		33.0 cm deep	45.0 cm deep	33.0 cm deep	45.0 cm deep	33.0 cm deep	45.0 cm deep
	83031 L 83032 R	83041 L 83042 R	83131 L 83132 R	83141 L 83142 R	83231 L 83232 R	83241 L 83242 R	
Price gr.							
I	-	-	-	-	-	-	
II	-	-	-	-	-	-	
10 Raster high		12 Raster high		14 Raster high			
 35.2 cm wide		 35.2 cm wide		 35.2 cm wide			
		12 Raster units cannot be planned as wall units.		14 Raster units cannot be planned as wall units.			
	1 door		1 door		1 door		
	33.0 cm deep	45.0 cm deep	33.0 cm deep	45.0 cm deep	33.0 cm deep	45.0 cm deep	
	103031 L 103032 R	103041 L 103042 R	123031 L 123032 R	123041 L 123042 R	143031 L 143032 R	143041 L 143042 R	
Price gr.							
I	-	-	-	-	-	-	
II	-	-	-	-	-	-	
4352							
-							

Wall units

Lamps: see page 23

Assembly notes for wall units:
Please be sure to note here the information and notes in the "Wall composition" chapter!

TETRIM

2 Raster wall units
35.2 cm high;
33.0 or 45.0 cm deep
for fitting anywhere on walls

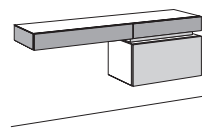
		105.6 cm wide		140.8 cm wide		176.0 cm wide		211.2 cm wide	
		1 flap		1 flap		1 flap		1 flap	
		33.0 cm deep	45.0 cm deep	33.0 cm deep	45.0 cm deep	33.0 cm deep	45.0 cm deep	33.0 cm deep	45.0 cm deep
Flap hinge at bottom	Price gr. I	210038	210048	214038	214048	217038	217048	221038	221048
	Price gr. II	-	-	-	-	-	-	-	-
Flap hinge at top	Price gr. I	210039	210049	214039	214049	217039	217049	221039	221049
	Price gr. II	-	-	-	-	-	-	-	-
Price gr.	I	1 drawer		1 drawer		1 drawer		1 drawer	
	II	X		X		X		X	
		105.6 cm wide		140.8 cm wide		176.0 cm wide		211.2 cm wide	
		1 flap; 1 open compartment		1 flap; 1 open compartment		1 flap; 1 open compartment		1 flap; 1 open compartment	
		33.0 cm deep	45.0 cm deep	33.0 cm deep	45.0 cm deep	33.0 cm deep	45.0 cm deep	33.0 cm deep	45.0 cm deep
Flap hinge at bottom	as illustr. v. versa	2101381 2101382	2101481 2101482	2141381 2141382	2141481 2141482	2171391 2171392	2171481 2171482	2211381 2211382	2211481 2211482
	Price gr. I	-	-	-	-	-	-	-	-
Flap hinge at top	as illustr. v. versa	2101391 2101392	2101491 2101492	2141391 2141392	2141491 2141492	2171391 2171392	2171491 2171492	2211391 2211392	2211491 2211492
	Price gr. I	-	-	-	-	-	-	-	-
Price gr.	I	1 drawer		1 drawer		1 drawer		1 drawer	
	II	X		X		X		X	
		105.6 cm wide		140.8 cm wide		176.0 cm wide		211.2 cm wide	
		1 flap; 1 open compartment		1 flap; 1 open compartment		1 flap; 1 open compartment		1 flap; 1 open compartment	
		33.0 cm deep	45.0 cm deep	33.0 cm deep	45.0 cm deep	33.0 cm deep	45.0 cm deep	33.0 cm deep	45.0 cm deep
Flap hinge at bottom	as illustr. v. versa	2101411 2101412	2101411 2101412	2141411 2141412	2141411 2141412	2171411 2171412	2171411 2171412	2211411 2211412	2211411 2211412
	Price gr. I	-	-	-	-	-	-	-	-
Price gr.	I	1 drawer		1 drawer		1 drawer		1 drawer	
	II	X		X		X		X	

Max. load: 25 kg

Wall units or wall assembly:
See here the information on page 4.

Writing/dressing table

Writing/dressing table as wall unit
52.8 cm high;
tabletop 12.8 cm high;
45.0 cm deep



158.4 cm wide


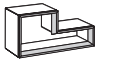
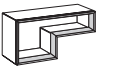

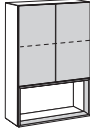

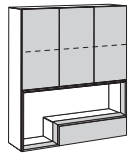
		3 drawers		Top: 2 drawers Bottom: 1 flap	
Flap hinge at bottom	as illustr. v. versa	315411 315412	315421 315422	315421 315422	315421 315422
	Price gr. I	-	-	-	-
Price gr.	I	-	-	-	-
	II	-	-	-	-

Wall units

Accessories: see pages 22-23
Lamps: see page 23

Light grey shading in the sketches = Components in lacquer version

Dark grey shading in the sketches = Components in accent versions

<p>2 Raster wall units 35.2 cm high; 33.0 or 45.0 cm deep</p> <p>for fitting anywhere on walls</p> <p>Max. load: 25 kg</p> <p>Wall units or wall assembly: See here the information on page 4.</p>	 70.4 cm wide		 70.4 cm wide		 70.4 cm wide	
	1 open compartment		1 open compartment		1 open compartment	
	33.0 cm deep	45.0 cm deep	33.0 cm deep	45.0 cm deep	33.0 cm deep	45.0 cm deep
	as illustr. v. versa	27003	27004	270131 270132	270141 270142	270231 270232
Price gr.	-	-	-	-	-	-
<p>3 Raster wall units 52.8 cm high; 33.0 or 45.0 cm deep</p> <p>for fitting anywhere on walls</p> <p>Max. load: 25 kg</p> <p>Wall units or wall assembly: See here the information on page 4.</p>	 70.4 cm wide					
	1 open compartment					
	33.0 cm deep	45.0 cm deep				
	as illustr. v. versa	270331 270332	270341 270342			
Price gr.	-	-				
<p>6 Raster wall units 105.6 cm high; 33.0 or 45.0 cm deep</p> <p>for fitting anywhere on walls</p> <p>Max. load: 25 kg</p> <p>Wall units or wall assembly: See here the information on page 4.</p>	 70.4 cm wide					
	2 doors; 1 open compartment					
	33.0 cm deep	45.0 cm deep				
	as illustr. v. versa	67003	67004			
Price gr.	-	-			<div style="border: 1px solid black; padding: 5px;"> <p>Assembly notes for wall units:</p> <p>Please be sure to note here the information and notes in the "Wall composition" chapter!</p> </div>	
<p>7 Raster wall units 123.2 cm high; 33.0 or 45.0 cm deep</p> <p>for fitting anywhere on walls</p> <p>Max. load: 25 kg</p> <p>Wall units or wall assembly: See here the information on page 4.</p>	 70.4 cm wide		 105.6 cm wide			
	2 doors; 1 drawer; 1 open compartment		3 doors; 1 drawer; 1 open compartment			
	33.0 cm deep	45.0 cm deep	33.0 cm deep	45.0 cm deep		
	as illustr. v. versa	77003	77004	710031 710032	710041 710042	
Price gr.	-	-	-	-		

Side-panels

<p>Side-panels 3.9 cm thick; 34.7 cm deep</p> <p>incl. 1.8 cm high plinth adjusters</p> <p>In every project with side-panels without ceiling fitting brackets, please allow 4.0 cm assembly space to the ceiling and 1.5 cm at the sides.</p> <p>For ceiling-high side-panels: please state the exact room height!</p> <p>The extra-high side-panels (up to max. 426.7 cm) are always split at 14 Raster height (248.3 cm).</p> <p>Height reductions down to 2 m height without surcharge.</p>									
	Raster heights						Ceiling-high side-panel (up to max. 266.5 cm) incl. ceiling fitting bracket	Extra-high side-panel (up to max. 426.7 cm) incl. ceiling fitting bracket	
		2 Raster (37.0 cm high)	4 Raster (72.2 cm high)	6 Raster (107.4 cm high)	8 Raster (142.6 cm high)	10 Raster (177.8 cm high)			12 Raster (213.0 cm high)
		236	436	636	836	1036	1236	1636	2236
Price gr.	-	-	-	-	-	-	-	-	
<p>Wall side-panels 3.9 cm thick; 34.7 cm deep</p> <p>The wall side-panels may only be fitted on absolutely solid walls. Gypsum or other light masonry is not suitable for this purpose. Max. load of a wall side-panel column (consisting of 2 wall side-panels and fitted shelves): 125 kg.</p> <p>Lamps cannot be fitted on wall side-panels.</p>									
	Raster heights								
		2 Raster (35.2 cm high)	4 Raster (70.4 cm high)	6 Raster (105.6 cm high)	8 Raster (140.8 cm high)	10 Raster (176.0 cm high)	12 Raster (211.2 cm high)		
		235	435	635	835	1035	1235		
Price gr.	-	-	-	-	-	-			

Fitted shelves for side-panels

With reductions without surcharge!

<p>Fitted shelves for side-panels 2.6 cm thick; 34.7 cm deep</p>	35.2 cm wide	52.8 cm wide	70.4 cm wide	105.6 cm wide; incl. rear side wall bracket	Extra long fitted wooden shelf (max. 176.0 cm wide); incl. rear side wall bracket
	3503	5203	7003	1003	1703
Price gr.	-	-	-	-	-

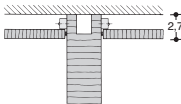
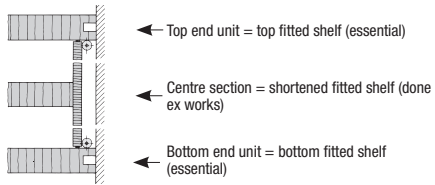


Niche rear walls for side-panels

Niche rear walls for side-panels


Niche rear walls – 1.1 cm thick – (space required 2.7 cm), can be fitted between side-panels, 1-12 Raster high. Fitted shelves can be planned anywhere. It is not possible to fit a rear wall later. **Rear walls with all-round brush seal.**

When integrated LED spotlamps or 105.6 cm wide fitted shelves for side-panels are fitted, the niche rear wall must be split at the height of the lamps or the 105.6 cm wide fitted shelves. Please remember this when planning!

Floor plan for a rear wall in a side-panel column				for 35.2 cm width	for 52.8 cm width	for 70.4 cm width	for 105.6 cm width
 <p>Side view for a rear wall in a side-panel column</p> 	for 2 Raster height	Price gr.	239	259	279	219	
			-	-	-	-	
	for 4 Raster height	Price gr.	439	459	479	419	
			-	-	-	-	
	for 6 Raster height	Price gr.	639	659	679	619	
			-	-	-	-	
	for 8 Raster height	Price gr.	839	859	879	819	
		-	-	-	-		
for 10 Raster height	Price gr.	1039	1059	1079	1019		
		-	-	-	-		
for 12 Raster height	Price gr.	1239	1259	1279	1219		
		-	-	-	-		

Wall shelves

TETRIM

Wall shelves 2.9 cm thick; 23.4 cm deep for fitting anywhere on walls LED light strip for wall shelves see page 23				
	105.6 cm wide	140.8 cm wide	176.0 cm wide	211.2 cm wide
Price gr.	1023	1423	1723	2123
	-	-	-	-

1 Raster top panels



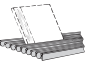
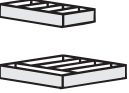

1 Raster top panels 17.5 cm high; 5.0 cm thick Top panels for fitting on units; incl. cable management. Not available in high-gloss lacquer versions!													
	for 52.8 cm width	for 70.4 cm width	for 105.6 cm width	for 123.2 cm width	for 140.8 cm width	for 158.4 cm width	for 176.0 cm width	for 193.6 cm width	for 211.2 cm width	for 228.8 cm width	for 246.4 cm width	for 264.0 cm width	for 281.6 cm width
	1525	1705	1105	1125	1145	1155	1175	1195	1215	1225	1245	1265	1285
	-	-	-	-	-	-	-	-	-	-	-	-	-
This luminaire contains built-in LED lamps of the energy classes A++ to A. The lamps cannot be changed in the luminaire. 12 V													
Lamps for 1 Raster top panels LED lamp incl. footswitch													
	for 52.8 cm width	for 70.4 cm width	for 105.6 cm width	for 123.2 cm width	for 140.8 cm width	for 158.4 cm width	for 176.0 cm width	for 193.6 cm width	for 211.2 cm width	for 228.8 cm width	for 246.4 cm width	for 264.0 cm width	for 281.6 cm width
	4.2 W	5.5 W	8.3 W	9.7 W	11.0 W	12.4 W	13.8 W	15.2 W	16.5 W	17.9 W	19.3 W	20.6 W	22.0 W
	538	528	708	128	108	158	148	198	178	228	218	268	248
	-	-	-	-	-	-	-	-	-	-	-	-	-

Ceramic cover shelves for units

Ceramic cover shelves for units 0.6 cm thick Units can be fitted with an extra cover shelf. If several units are planned adjacently, it is possible to fit full-length cover shelves. Please state clearly in the order! Max. load: 15 kg per metre length for floor units.											
	for 52.8 cm width	for 70.4 cm width	for 105.6 cm width	for 123.2 cm width	for 140.8 cm width	for 158.4 cm width	for 176.0 cm width	for 193.6 cm width	for 211.2 cm width	for 228.8 cm width	for 246.4 cm width
for 45.0 cm unit depth	5241	7041	1041	1241	1441	1541	1741	1941	2141	2241	2441
	-	-	-	-	-	-	-	-	-	-	-
for 52.0 cm unit depth	5251	7051	1051	1251	1451	1551	1751	1951	2151	2251	2451
	-	-	-	-	-	-	-	-	-	-	-

Accessories


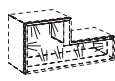
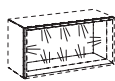
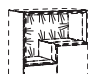
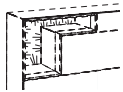
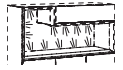
Accessories for drawers

Tableau lined with grey fabric		for 52.8 cm width	for 70.4 cm width	for 88.0 cm width	for 105.6 cm width	
		for 33.0 cm unit depth	X	8620 -	X	X
	for 45.0 cm unit depth	8621 -	8622 -	8623 -	8624 -	
	for 52.0 cm unit depth	8631 -	8632 -	8633 -	8634 -	
CD holder for drawers Please state exactly in your order and drawing in which 2 Raster drawer the CD holder is to be fitted.	for 45.0 cm unit depth	8421 -	8422 -	8423 -	8424 -	
	for 52.0 cm unit depth	8431 -	8432 -	8433 -	8434 -	
DVD/Blu-Ray holder for drawers Please state exactly in your order and drawing in which 2 Raster drawer the DVD/Blu-Ray holder is to be fitted.	for 45.0 cm unit depth	8321 -	8322 -	8323 -	8324 -	
	for 52.0 cm unit depth	8331 -	8332 -	8333 -	8334 -	
Cutlery box of metal, lined with grey fabric inside; incl. compartments		17.6 cm wide		35.2 cm wide		
	for 45.0 cm unit depth	845 -		846 -		
	for 52.0 cm unit depth	855 -		856 -		
		Set 1: for standard cutlery like spoons, forks, knives, etc.			Set 2: for sauce ladles, cake forks, cake servers, etc.	
Cutlery holder lined with grey fabric, for fitting in drawers Set 1: for 60 pcs of cutlery Set 2: for 17 serving utensils		116 -			117 -	
						

Fitted shelves

Fitted shelf 1.9 cm thick (2.9 cm thick for 105.6 cm width)		for 35.2 cm width	for 52.8 cm width	for 70.4 cm width	for 88.0 cm width	for 105.6 cm width
	for 33.0 cm unit depth	133	X	173	183	1103
	for 45.0 cm unit depth	134	154	174	184	1104
	for 52.0 cm unit depth	X	157	177	187	1107

Lamps

This luminaire contains built-in LED lamps of the energy classes A++ to A. The lamps cannot be changed in the luminaire. 12 V			LED lamps incl. footswitch. A remote control unit is possible for operation (against a surcharge).					
LED light strip for fitting under wall units and wall shelves	for 35.2 cm width	for 52.8 cm width	for 70.4 cm width	for 105.6 cm width	for 140.8 cm width	for 176.0 cm width	for 211.2 cm width	for 246.4 cm width
	1.6 W	2.8 W	4.7 W	7.1 W	9.8 W	12.5 W	15.3 W	17.5 W
	535	525	705	105	145	175	215	245
Integrated LED spotlight Ø 7.1 cm; for fitting in units	2.9 W							
	7941							
LED frame lamps for fitting in frame of open compartments	Frame form:  9.0 W	Frame form:  14.5 W						
	Frame form:  14.5 W	Frame form:  17.2 W						
	540	Frame form:  17.2 W						
		Frame form:  22.7 W						
		550						

Remote control unit with changing colours

The lamps are normally operated by an external footswitch. The colour temperature of the LED lamps is cold white if a footswitch is used. A 4-channel remote control unit is also available as an alternative, which is charged extra. Several lamps can be operated with each of the 4 channels. All 4 channels can be dimmed separately at the push of a button. The colour temperature of all 4 channels can be set to any level from cold white (approx. 6500 kelvin = the basic setting of the LED lamps) to warm white (approx. 2700 kelvin). If warm white is required, a remote control unit must be ordered. It is also possible to switch all channels on and off simultaneously with the "all on" or "all off" buttons. Up to 4 transmitters can operate as many receivers as required. The remote control unit consists of one transmitter and one receiver. If several receivers are required because of the arrangement of the units, these and the corresponding cables are provided ex-works (no surcharge). The footswitch is omitted when the remote control unit is used.



2019

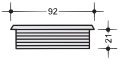
Cable apertures

It is possible to provide the cover shelves, side sections, shelves, etc., in units from nearly all the hülsta living room ranges with cable apertures so it is easier to feed cables of electronic equipment through these units. There are four different types of cable apertures to choose from, as listed here. **Please be sure to follow the important notes.**

Cable aperture K1

Cable aperture for 80 mm hole, silver colour
Standard cable aperture; particularly suitable for cover shelves, side sections and shelves

Dimensions:
Assembly height: 21 mm
Outside diameter: 92 mm
Inside diameter: 74 mm
Diameter of hole: 80 mm

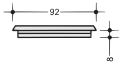


K1

Cable aperture K2

Cable aperture for 80 mm hole, silver colour
particularly suitable for rear walls and side sections

Dimensions:
Assembly height: 8 mm
Outside diameter: 92 mm
Inside diameter: 74 mm
Diameter of hole: 80 mm

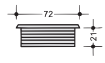


K2

Cable aperture K3

Cable aperture for 60 mm hole, silver colour
particularly suitable for shelves and constructional shelves (suitable to an extent for scart cables)

Dimensions:
Assembly height: 21 mm
Outside diameter: 72 mm
Inside diameter: 54 mm
Diameter of hole: 60 mm

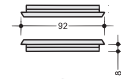


K3

Cable aperture K20

Cable aperture for 80 mm hole, silver colour
particularly suitable for side-panels and centre partitions

Dimensions:
Assembly height: 2x 8 mm
Outside diameter: 92 mm
Inside diameter: 74 mm
Diameter of hole: 80 mm



K20

IMPORTANT NOTES Please be sure to note!

Please be sure to state the **exact position** of the cable aperture in your order (always measure distances from the centre of the cable aperture). For **wall units** the cable aperture is only possible in the bottom position (due to the suspension brackets). For **cover shelves**, the position of the cable aperture is determined in the factory, in accordance with factors specific to the given range. The same applies to technical exceptions because of custom-based planning. The K 20 is positioned in the centre (depthwise) in the **side-panel**. Please state the exact height (centre of hole of cable aperture from bottom rim of side-panel)! Subject to technical progress.

The **minimum distance** for the cable aperture (measured from the inside): 100 mm from the side and 70 mm from the rear (for horizontal surfaces) or 100 mm from the side and 70 mm from the base (for vertical surfaces). Please state if the aperture is to be fitted at the left, at the right or in the centre.

Standard position: If no details of the exact position of the cable aperture are given in your order, the cable aperture is always fitted at the bottom centre or at the rear centre of the relevant surface, whereby the distances stated above still apply.

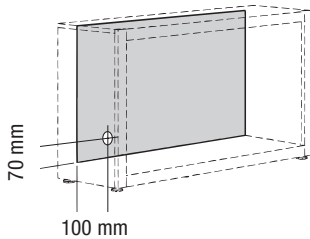
Caution! Please note that the cable aperture can not be fitted where there is an integrated or front spotlight, centre partitions or a split rear wall. **Please be sure to observe the following explanatory diagrams!**

for vertical surfaces

for horizontal surfaces

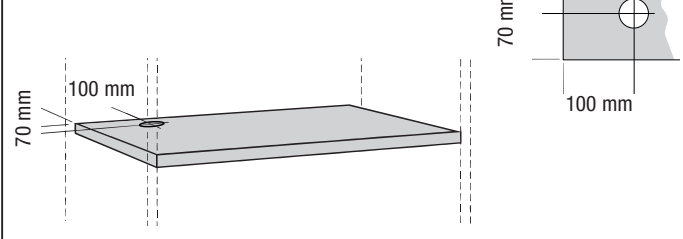
Minimum distance

100 mm from the side and 70 mm from the base



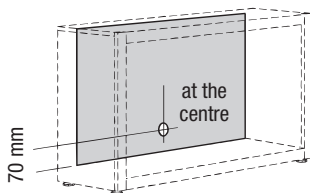
Minimum distance

100 mm from the side and 70 mm from the rear



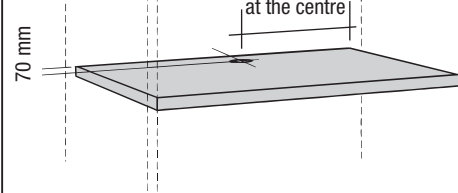
Standard position

at the centre of the surface and 70 mm from the base



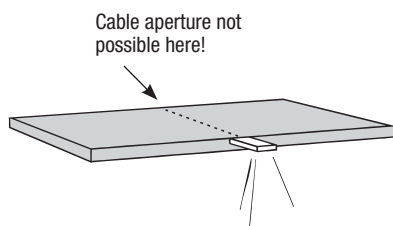
Standard position

at the centre of the surface and 70 mm from the rear



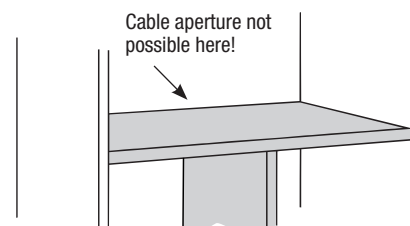
Caution!

If there is an integrated or front spotlight in a shelf, for example, the cable aperture cannot be fitted at this position!

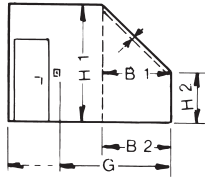
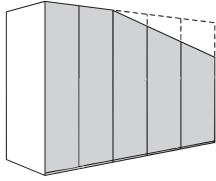


Caution!

If there is a centre partition, for example, between two shelves, the cable aperture cannot be fitted at this position!



Notes on calculating sizes of sloping units



Side sloping

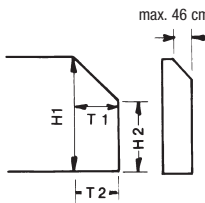
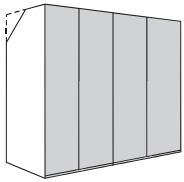
Sloping is only possible on single-door units. The door hinge (left or right) is positioned on the taller outer side of the unit.

Measurements required:

- H 1 = Room height
- H 2 = Height of slope (If a space is required between the wall and the wardrobe/unit, please state the exact distance.)
- B 1 = Width of slope
- B 2 = Width of slope
- G = Total width
- S = Wardrobe width

Please note!

- As floors, ceilings and walls are never exactly straight, the exact room size must be measured using a spirit level.



Rear sloping

Measurements required:

- H 1 = Room height
- H 2 = Height of slope (If a space is required between the wall and the wardrobe/unit, please state the exact distance.)
- T 1 = Depth of slope
- T 2 = Depth of slope

Special-sized products

TETRIM

Height reductions (not possible on drawers):

Side-panel (below 2 m, incl. top rim)	99901	-
Niche rear wall	99906	-

Width reductions (not possible on drawers):

Fitted shelf	99914	without surcharge+
Niche rear wall	99920	-

Depth reductions (not possible on drawers)

Fitted shelf (not below 21.9 cm)	99934	-
Side-panel (not below 21.9 cm)	99931	-
Cut-out section side-panel (for skirting boards, e.g.)	99966	-

Side sloping:

Please observe the notes on making exact measurements on the previous page as these are essential!		
Side-panel	99944	-

Rear sloping:

Please observe the notes on making exact measurements on the previous page as these are essential!		
Side-panel	99956	-

More special products are possible.

Please get in touch with your customer advisor.

Special articles

Cover panels

for side and top panelling of fitted wardrobes (support construction and fitting materials must be acquired on site).

Basic price per order	9901	-
price per m ² lacquer or veneer	990	-
Veneer match with fronts can not be guaranteed.		

Rim veneer

superimposed ex works or rims lacquered for veneer and lacquer versions per m. length

9902 -

Sizes:

Range	max. length	max. width
TETRIM	205.0 cm	40.0 cm

High-gloss care set

Polish, polishing sponge and polishing cloth (incl. instructions) for protecting and maintaining the high-gloss surfaces

36 -

Special colours; Note on „Blue Angel“ / Emissions label of DGM

Special colours

All the hülsta lacquer colours are possible for nearly all the hülsta ranges. Availability and prices on request.

Note on „Blue Angel“ (RAL-UZ 38) and Emissions label of DGM (Class A)

It is possible that the requirements of the „Blue Angel“ and the DGM Emissions Label cannot be met by some of the lacquer colours in price groups II and III (see here the different lacquer versions in the NURIA range), depending on the colour mix (surface ratio of these colours in the corresponding order). However, the legal requirements are definitely met in all cases!

Wall composition / assembly instruction

Important notes:

The composition of walls must be ascertained before concluding a contract and be checked by a qualified fitter before assembly takes place.

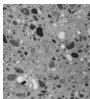
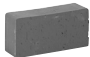


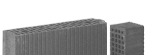
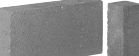
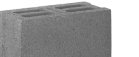

Assembly may only be carried out by a qualified fitter under careful observation of the assembly instructions.

The plastic Rawl plugs with the type name SX 8 x 65 from the Fischer Company supplied by hülsta as a standard set are only suitable for concrete \geq C12/15, if the wall composition and compression strength corresponds to the table below. Under no circumstances must a unit be assembled on light masonry.

Furthermore, we provide a mounting set with assembly mortar from the Fischer Company for the types of walls listed below (see assembly mortar set below). Again, assembly must be carried out by a qualified fitter under careful observation of the wall composition and assembly instruction. The compression strength levels stated below must be met under all circumstances.

Materials table

with a description of which sets are to be used with the following types of walls:

Standard set (SX 8 x 65)	Assembly mortar set only suitable for the materials stated below!	
Concrete C12/15 Compression strength \geq 15 N/mm ² 	 Building bricks Mz 12 Compression strength \geq 12 N/mm ²  Limestone blocks KS 12 Compression strength \geq 12 N/mm ²  Perforated sand lime bricks KSL12 Compression strength \geq 12 N/mm ²  Vertically perforated bricks HLz 12 Compression strength \geq 12 N/mm ² Bulk density \geq 1.0 kg/dm ³	 Solid blocks of light concrete V2 Compression strength \geq 2 N/mm ²  Perforated blocks of light concrete Hbl 2 Compression strength \geq 2 N/mm ²  Aerated concrete PP2 Compression strength \geq 2 N/mm ²

A different and more suitable type of mounting must be chosen by a qualified fitter in all other cases. hülsta cannot accept any responsibility for the choice of any other types of mounting!

Please note that if the units are not mounted properly on the wall, there is a risk of the units falling down or tipping over – especially when alternative mounting materials acquired on site have been used.

Generally speaking, you as a dealer/qualified fitter are responsible for the correct wall mounting of the units.



Mounting sets

Labelling in type list drawings / assembly notes for wall units

The majority of units have two wall mounting points (= number of support boards), if these are to be fitted as wall units. This is not explicitly mentioned in the type list. If a different number of wall mounting points (= support boards) is required, this is marked in the drawings in the type list with numbers in black boxes. Every support board requires four mounting screws.

3 = 3 support boards

4 = 4 support boards, etc.

One **assembly mortar set** is sufficient for up to a maximum of 3 support boards or 4 wall side-panels.

Important note: Depending on the composition of the wall (see wall types illustrated above), assembly must be carried out using the special assembly mortar set and a standard trade mastic tool which are the basic essentials for safe and clean workmanship.

Standard set

The standard set consists of 4 plastic Rawl plugs (SX 8 x 65) and 4 mounting screws and is sufficient for 1 support board. The standard sets are included in the packet of fittings to match the number of support boards.

Assembly mortar set for up to a maximum of 3 support boards consisting of:

- 9x injection retaining sleeve
- 9x screw-in sleeve
- 1x injection cartridge
- 2x static mixer
- 1x assembly instructions

Please use the mounting screws from the standard set (supplied free of charge).

Example of order:

- Add up number of support boards for all existing unit types
 - Divide the sum by “3”
 - Round up the result to a full number
- = Number of assembly mortar sets required

M2

-